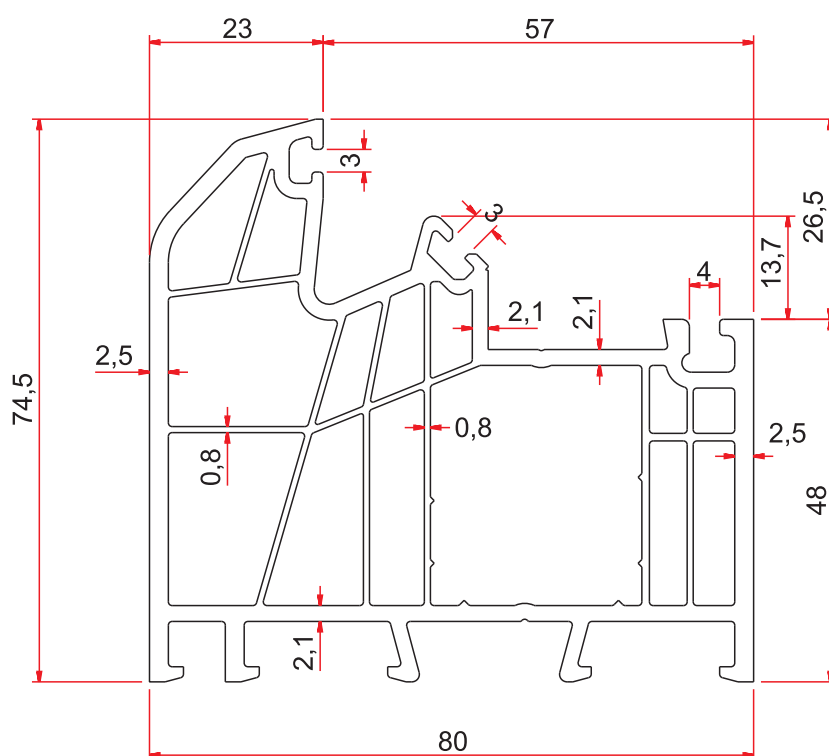
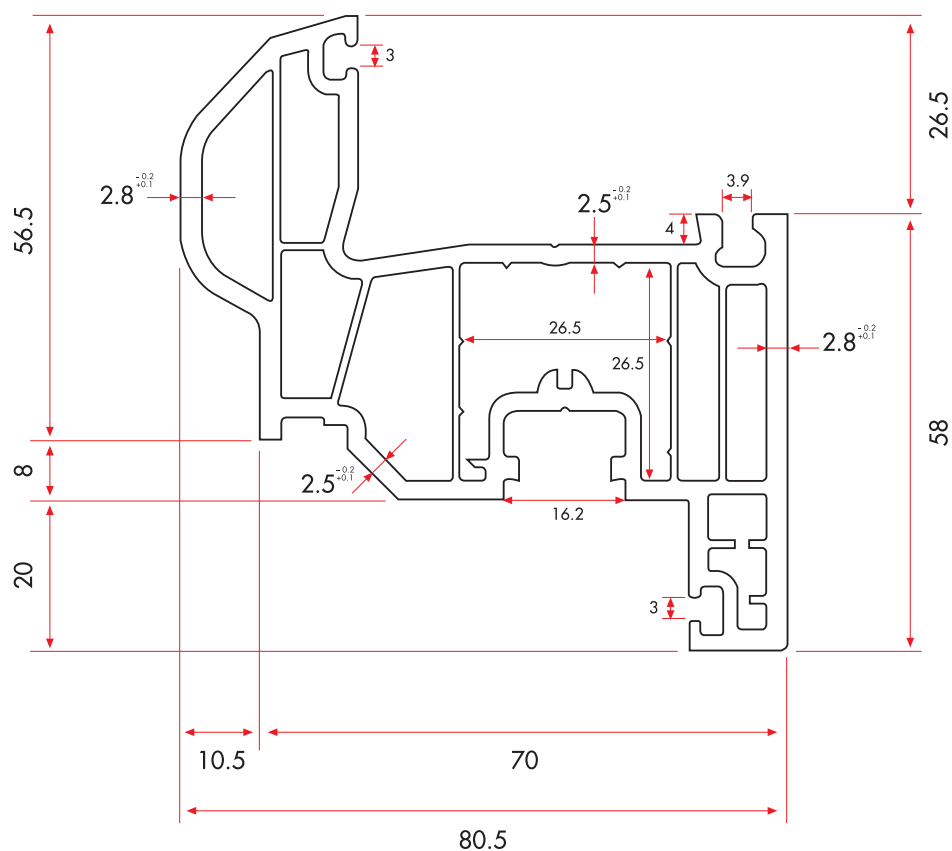


# LINE 80

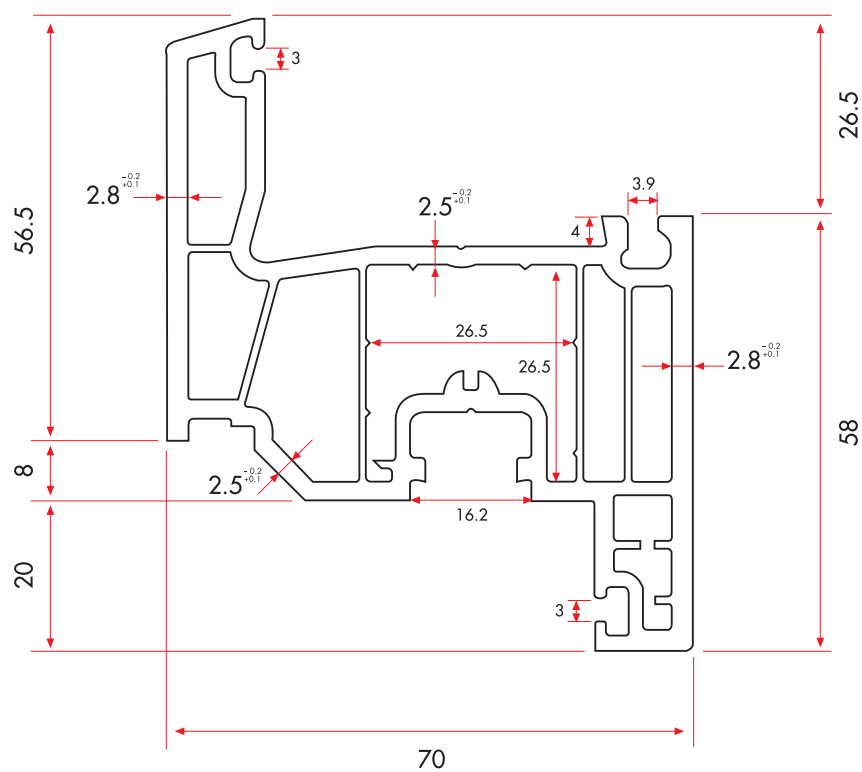




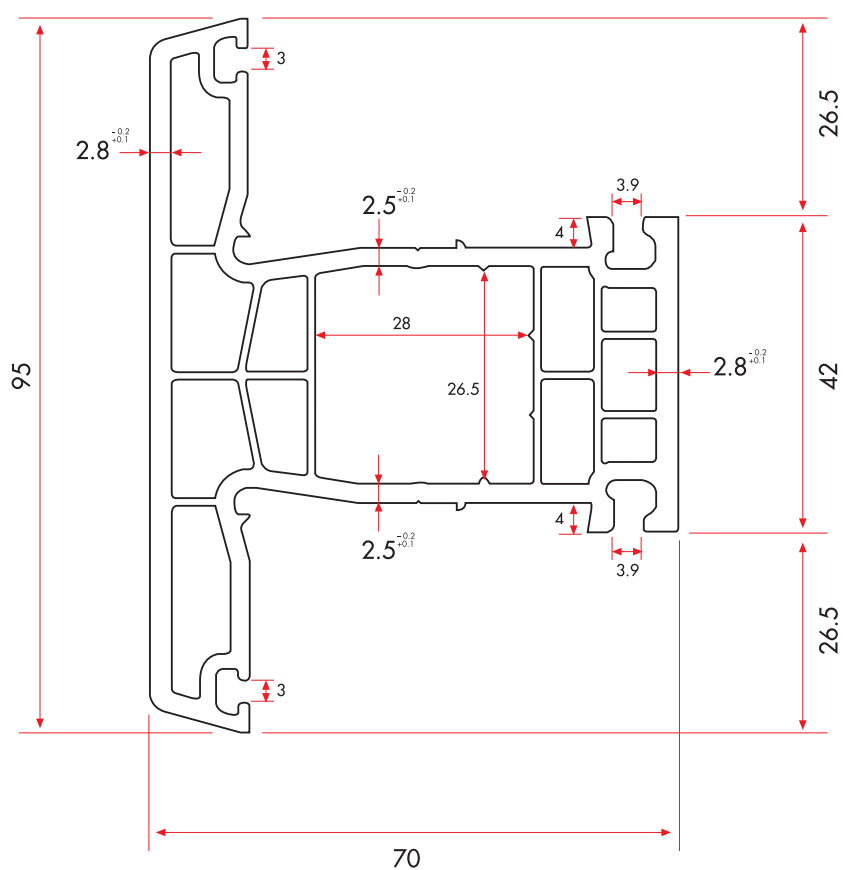
CODE: 8621 B	SCALE: 1/1
weight	1.485 gr/m ±%3
wall thickness	2.1 <sup>-0.2</sup> / <sub>-0.1</sub> / 2.5 <sup>-0.2</sup> / <sub>-0.1</sub> mm



CODE: 7530B	SCALE: 1/1
weight	1.583 gr/m ±%3
wall thickness	2.8 <sup>-0.2 / +0.1</sup> / 2.5 <sup>-0.2 / +0.1</sup> mm



CODE: 7535B	SCALE: 1/1
weight	1.450 gr/m $\pm 3\%$
wall thickness	2.8 / 2.5 $\pm 0.1$ mm



CODE: 7540B	SCALE: 1/1
weight	1.578 gr/m ±%3
wall thickness	2.8 <sup>-0.2/+0.1</sup> / 2.5 <sup>-0.2/+0.1</sup> mm



# LINE80

**GEMEINSAME PROFILS**

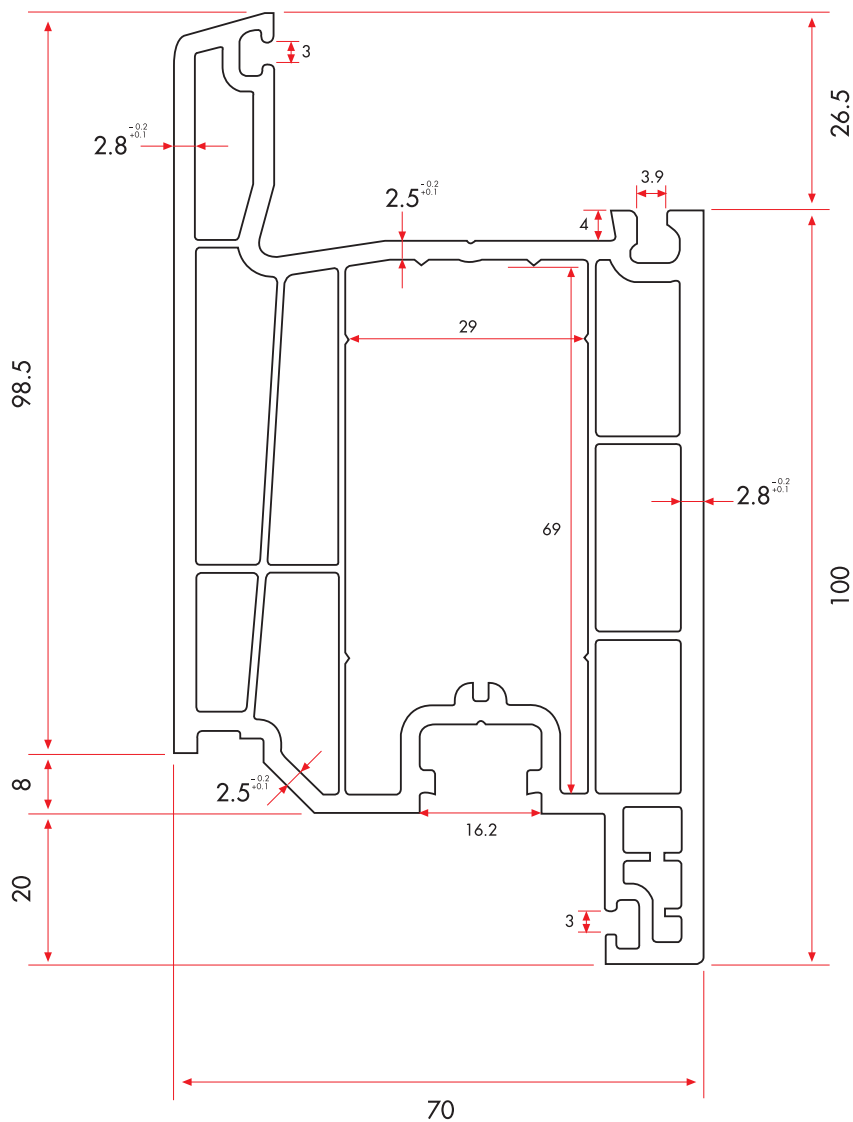
**SHARED PROFILES**

**СРЕДНИЕ ПРОФИЛИ**

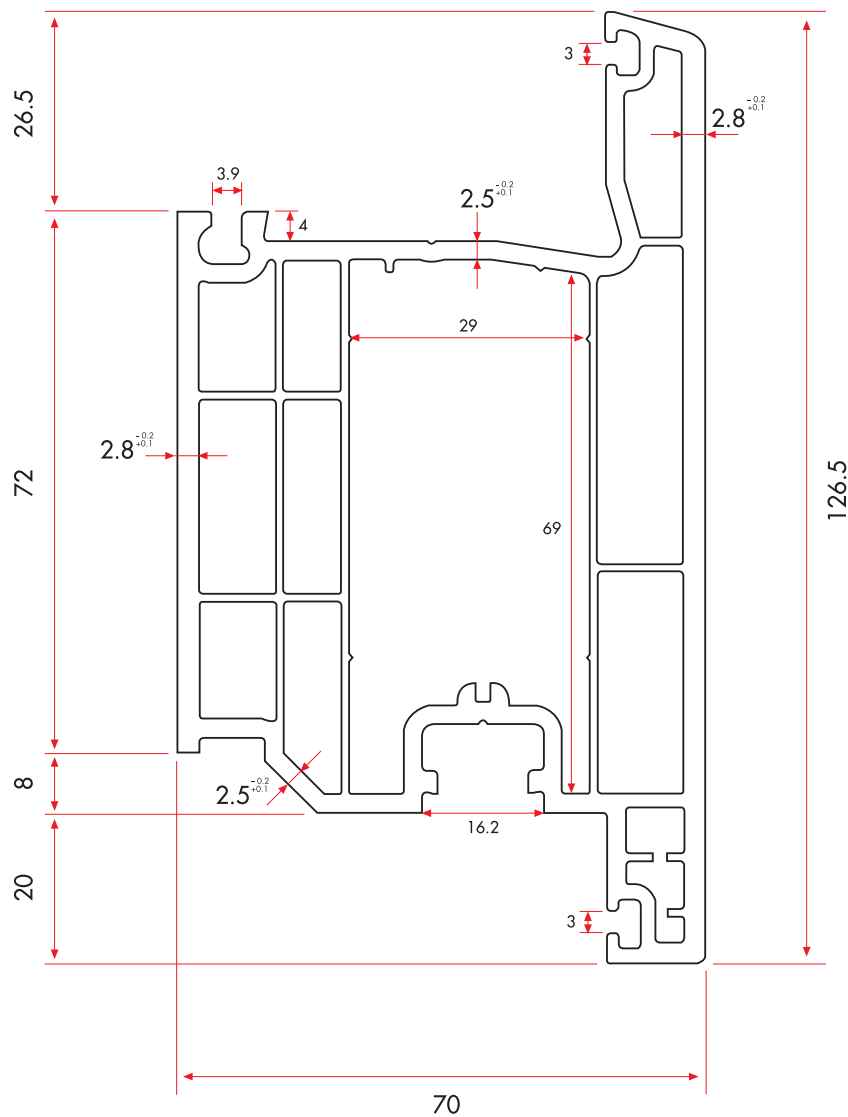
**PROFILE COMUNE**

**ORTAK PROFİLLER**

**بروفيلات مشتركة**

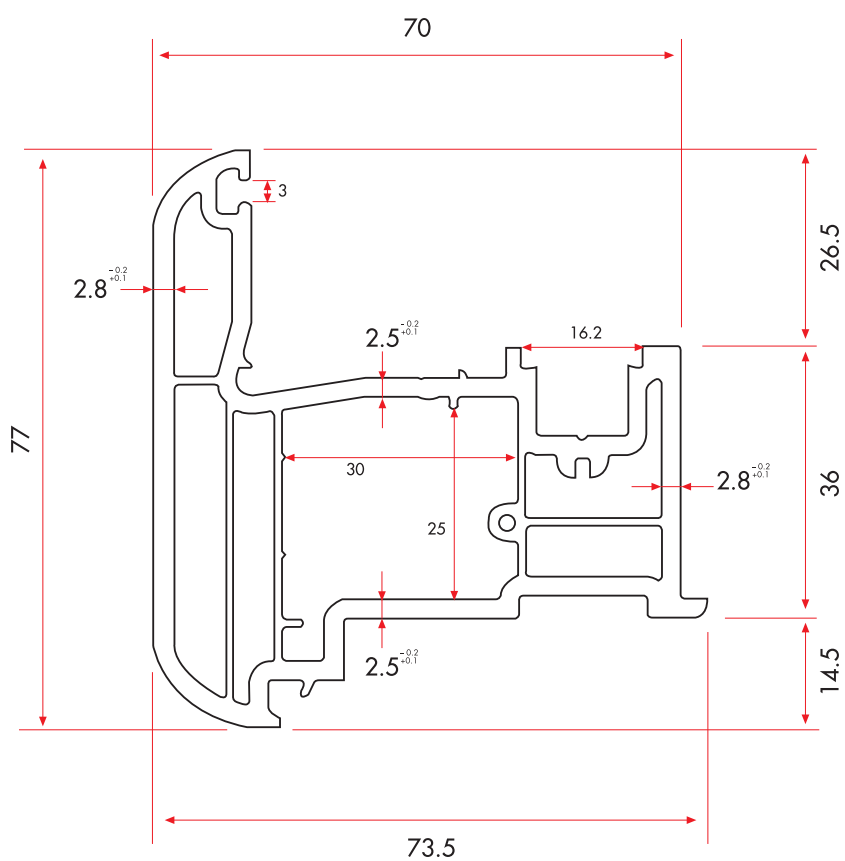


CODE: 7550B	SCALE: 1/1
weight	2.053 gr/m $\pm 3\%$
wall thickness	2.8 / 2.5 mm (tolerance: $-0.2 / +0.1$ )



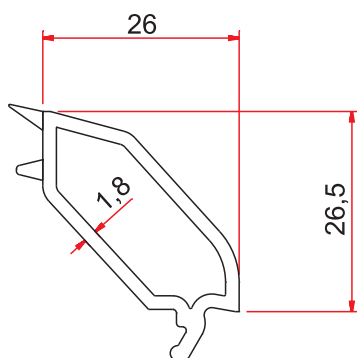
CODE: 7560B	SCALE: 1/1
weight	2.067 gr/m ±%3
wall thickness	2.8 <sup>-0.2</sup> / <sub>+0.1</sub> / 2.5 <sup>-0.2</sup> / <sub>+0.1</sub> mm





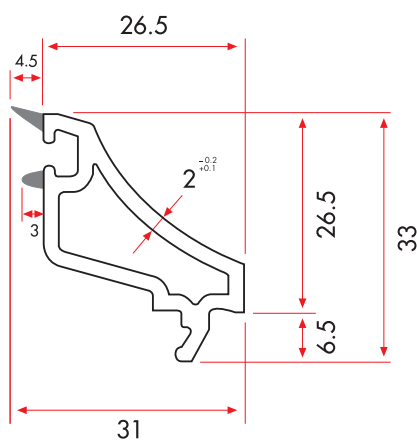
CODE: 7570B	SCALE: 1/1
weight	1.394 gr/m ±%3
wall thickness	2.8 / 2.5 mm

Doppelt Glassleisten mit Dichtlippen (24 mm)  
 Double Glazing Bead with Gasket (24 mm)  
 La latte (grise) de 24 mm. de Double Vitre, avec Joint  
 Штапик с уплотнителем (серого цвета)  
 под стеклопакет 24 мм  
 Bagheta Dubla Cu Garnitura (Gr) de 24 mm  
 24 mm Contalı Çift Cam Çıtası  
 24 سم سقف بزجاج ثنائي عازل



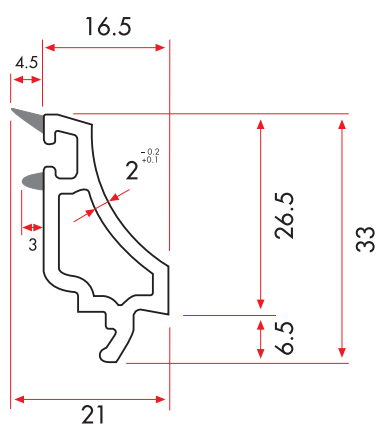
CODE: 8680 B	SCALE: 1/1
weight	230 gr/m ±%3
wall thickness	1.8 <sup>+0.2</sup> <sub>-0.1</sub> mm

Doppelt Glassleisten mit Dichtlippen (24 mm)  
 Double Glazing Bead with Gasket (24 mm)  
 La latte (grise) de 24 mm. de Double Vitre, avec Joint  
 Штапик с уплотнителем (серого цвета)  
 под стеклопакет 24 мм  
 Bagheta Dubla Cu Garnitura (Gr) de 24 mm  
 24 mm Contalı Çift Cam Çıtası  
 24 سم سقف بزجاج ثنائي عازل



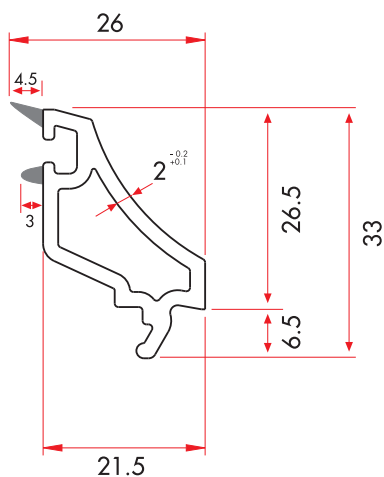
CODE: 7580BC	SCALE: 1/1
weight	292 gr/m $\pm 3\%$
wall thickness	2.8 mm $\begin{matrix} -0.2 \\ -0.1 \end{matrix}$

Drei Glassleisten mit Dichtlippen (34 mm)  
 Triple Glazing Bead With Gasket (34 mm)  
 La latte (grise) de 34 mm. de Triple Vitre, avec Joint  
 Штапик с уплотнителем (серого цвета)  
 под стеклопакет 34 мм  
 Bagheta Tripla Cu Garnitura (Çırı) de 34 mm  
 34 mm Contalı Uç Cam Çıtası  
 34 سم سقف زجاجي ثلاثي عازل



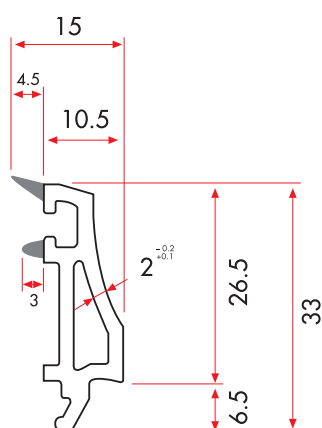
CODE: 6490BC	SCALE: 1/1
weight	240 gr/m ±%3
wall thickness	2.0 <sup>+0.2/-0.1</sup> mm

Doppelt Glassleisten mit Dichtlippen (30 mm)  
 Double Glazing Bead with Gasket (30 mm)  
 La latte (grise) de 30 mm de Double Vitre, avec Joint  
 Штапик с уплотнителем (серого цвета)  
 под стеклопакет (30 mm)  
 Bagheta Dubla Cu Garnitura (Gri) de (30 mm)  
 30 mm Contalı Çift Cam Çıtası  
 30 سم سقف بزجاج ثنائي عازل



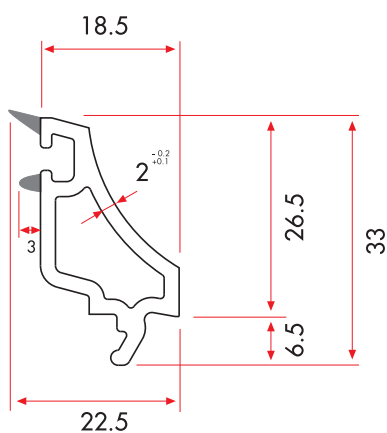
CODE: 6495BC	SCALE: 1/1
weight	264 gr/m ±%3
wall thickness	2.0 <sup>-0.2</sup> / <sub>+0.1</sub> mm

Drei Glassleisten mit Dichtlippen (40 mm)  
 Triple Glazing Bead With Gasket (40 mm)  
 La latte (grise) de 40 mm. de Triple Vitre, avec Joint  
 Штапик с уплотнителем (серого цвета)  
 под стеклопакет 40 мм  
 Bagheta Tripla Cu Garnitura (Gri) de 40 mm  
 40 mm Contalı Uç Cam Çıtası  
 40 سم سقف زجاجي ثلاثي عازل

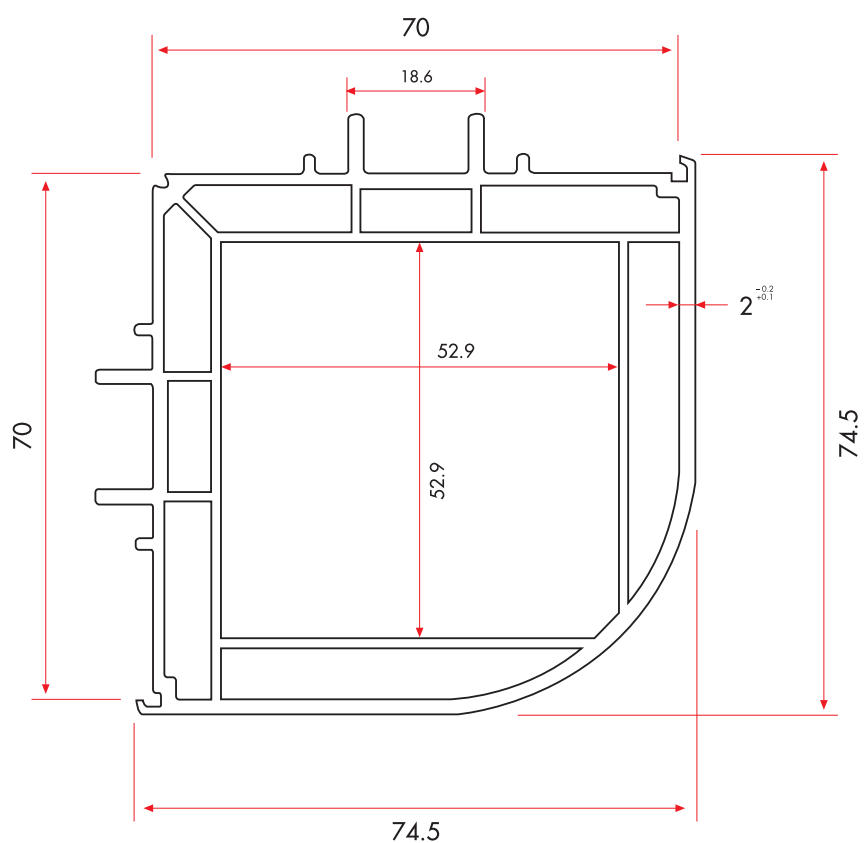


CODE: 64100BC	SCALE: 1/1
weight	220 gr/m $\pm 3$
wall thickness	2.0 mm $^{+0.2}_{-0.1}$

Drei Glass Leisten mit Dichtlippen (32 mm)  
 Three Glazing Bead (32 mm)  
 La latte (grise) de 32 mm. de Triple Vitre, avec Joint  
 Штапик с уплотнителем (серого цвета)  
 под стеклопакет (32 mm)  
 Bagheta Tripla Cu Garnitura (Çrı) de (32 mm)  
 32 mm Contalı Uç Cam Çıtası  
 32 سم سقف زجاجي ثلاثي عازل

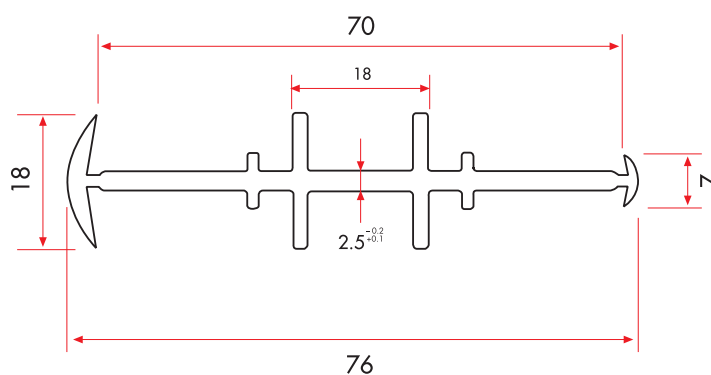


CODE: 75105BC	SCALE: 1/1
weight	239 gr/m ±%3
wall thickness	2.0 <sup>-0.2</sup> <sub>-0.1</sub> mm

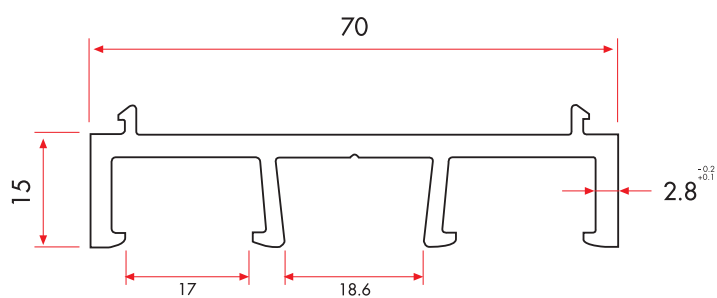


CODE: 75110B	SCALE: 1/1
weight	1.280 gr/m ±%3
wall thickness	2.0 <sup>-0.2</sup> / <sub>+0.1</sub> mm





CODE: 75120B	SCALE: 1/1
weight	390 gr/m $\pm 3$
wall thickness	$3.0^{+0.2/-0.1}$ mm



CODE: 75130B

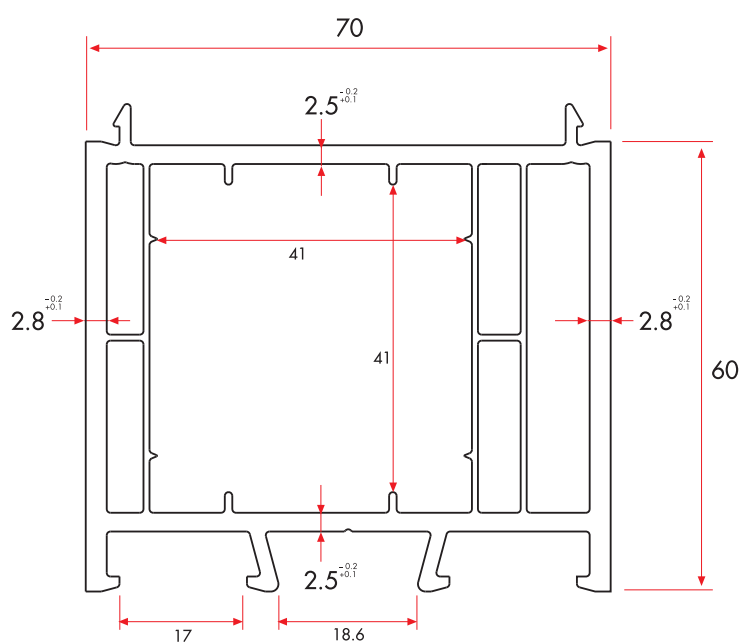
SCALE: 1/1

weight

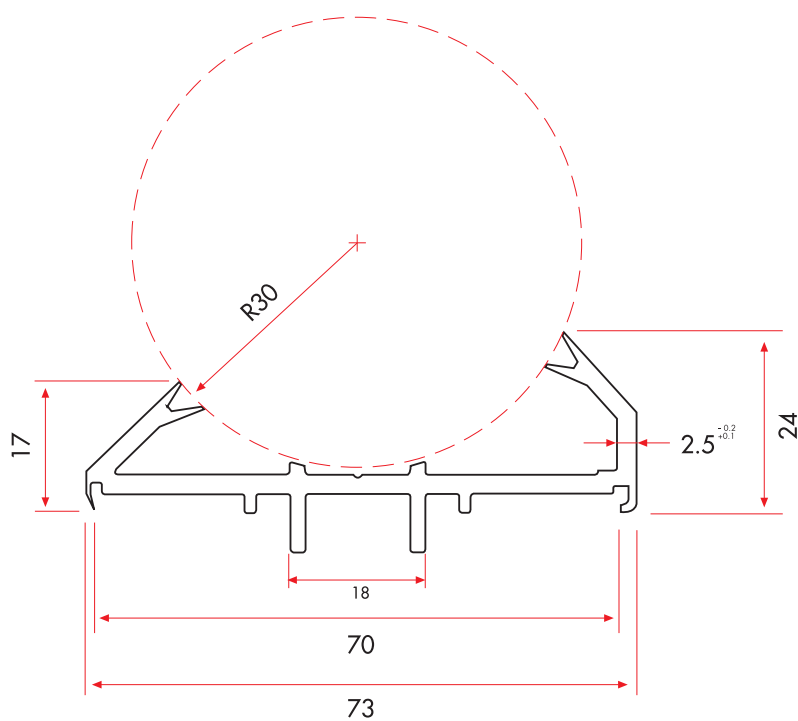
517 gr/m  $\pm 3\%$

wall thickness

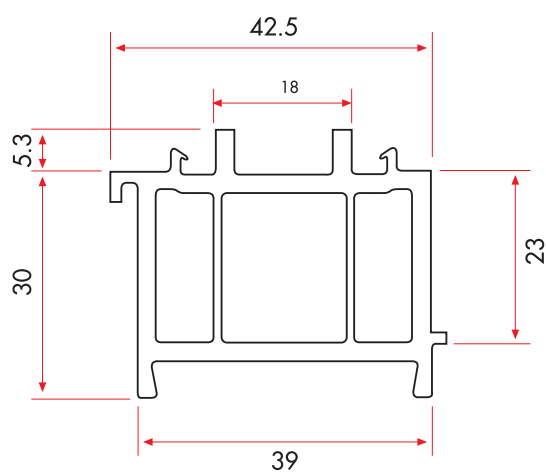
2.8<sup>-0.2  
-0.1</sup> mm



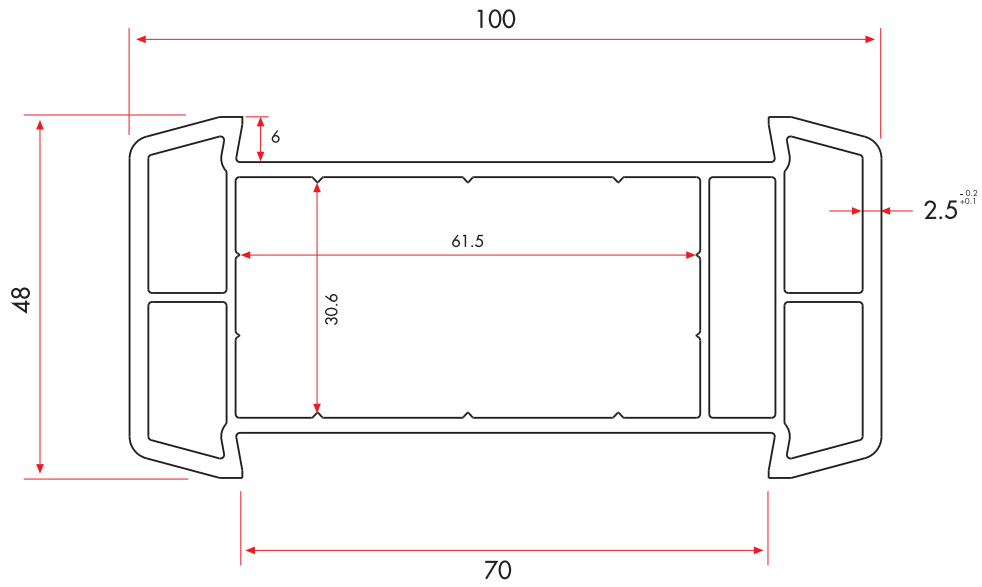
CODE: 75131B	SCALE: 1/1
weight	1264 gr/m ±%3
wall thickness	2.8 mm <sup>+0.1</sup>



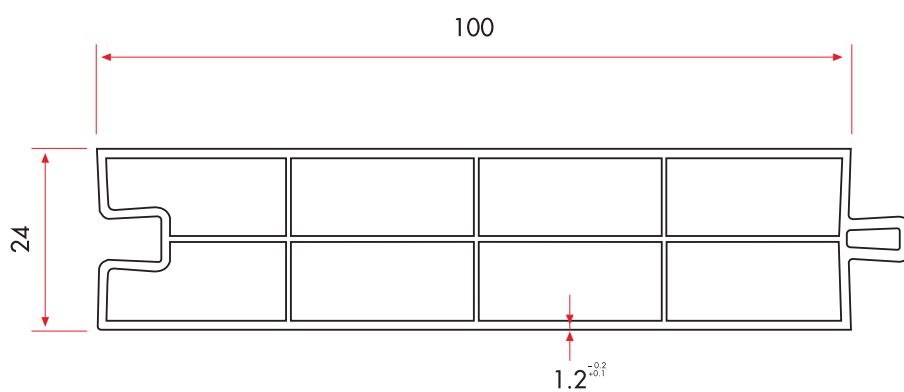
CODE: 75140B	SCALE: 1/1
weight	467 gr/m $\pm 3$
wall thickness	2.5 <sup>-0.2</sup> <sub>-0.1</sub> mm



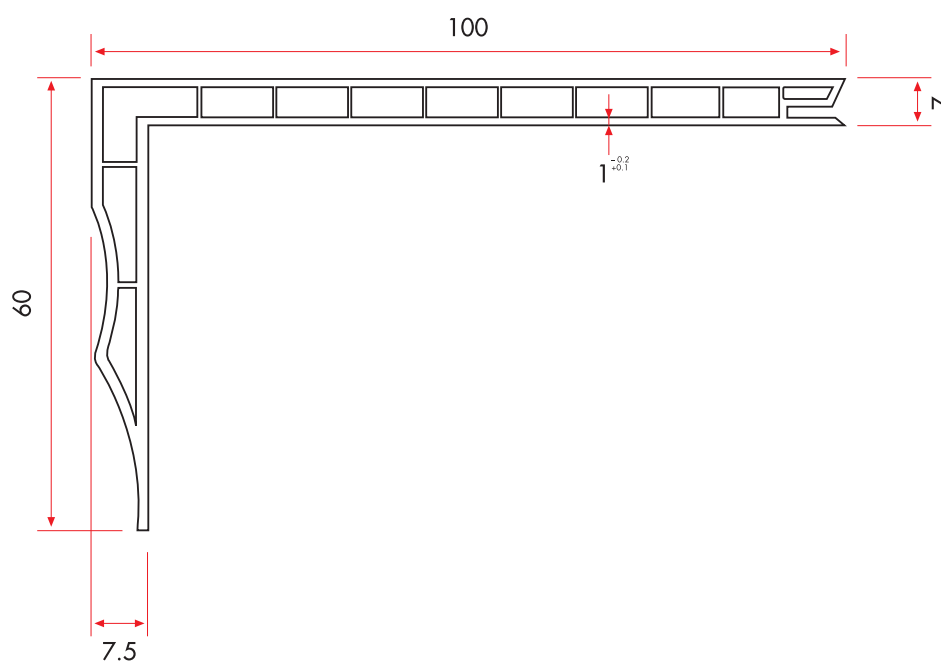
CODE: 64150B	SCALE: 1/1
weight	566 gr/m $\pm 3$
wall thickness	2.6 <sup>-0.2</sup> <sub>-0.1</sub> mm



CODE: 75160B	SCALE: 1/1
weight	1178 gr/m ±%3
wall thickness	2.5 <sup>-0.2</sup> / <sub>+0.1</sub> mm

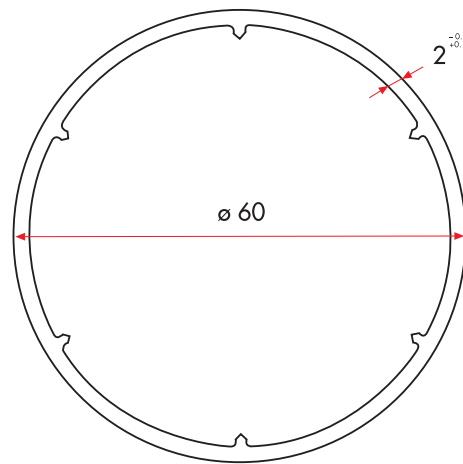


CODE: 1010B	SCALE: 1/1
weight	585 gr/m ±%3
wall thickness	1.2 <sup>+0.2</sup> <sub>-0.1</sub> mm

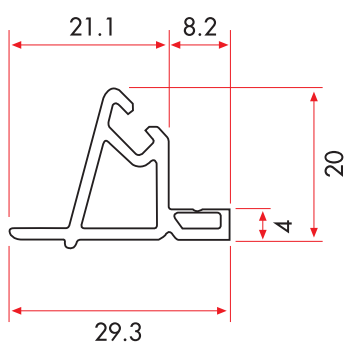


CODE: 1020B	SCALE: 1/1
weight	542 gr/m $\pm 3$
wall thickness	1.5 $^{+0.2}_{-0.1}$ mm

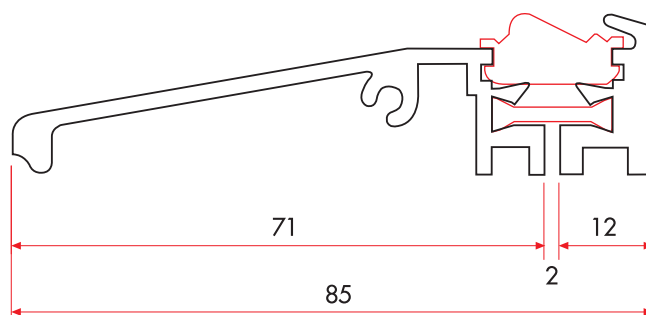




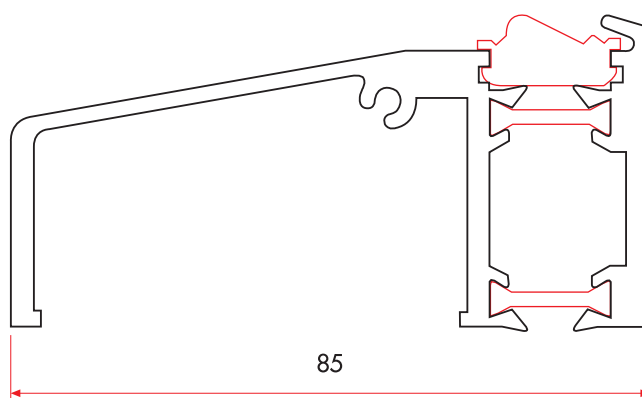
CODE: 1030B	SCALE: 1/1
weight	550 gr/m $\pm 3\%$
wall thickness	2.0 <sup>-0.2 / +0.1</sup> mm



CODE: 1040B	SCALE: 1/1
weight	178 gr/m $\pm 3$
wall thickness	1.5 $^{+0.2}_{-0.1}$ mm



CODE: 70210BC	SCALE: 1/1
weight	1.360 gr/m
aluminium	



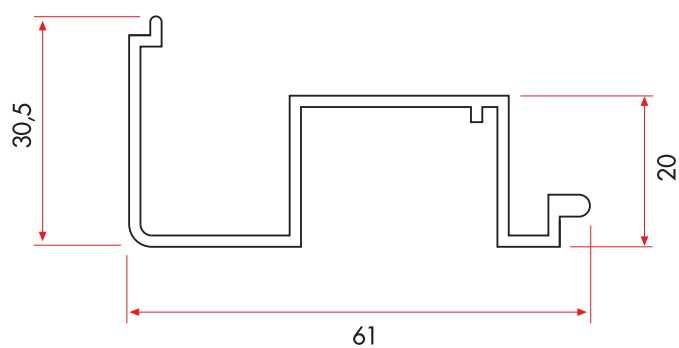
CODE: 70220BC

SCALE: 1/1

weight

2.016 gr/m

aluminium



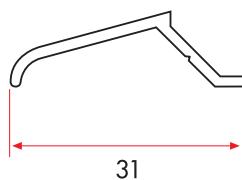
CODE: 7555B

SCALE: 1/1

weight

0.594 gr/m

painting aluminium



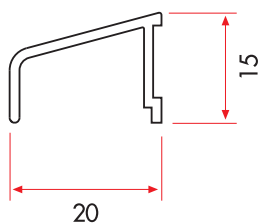
CODE: 9010B

SCALE: 1/1

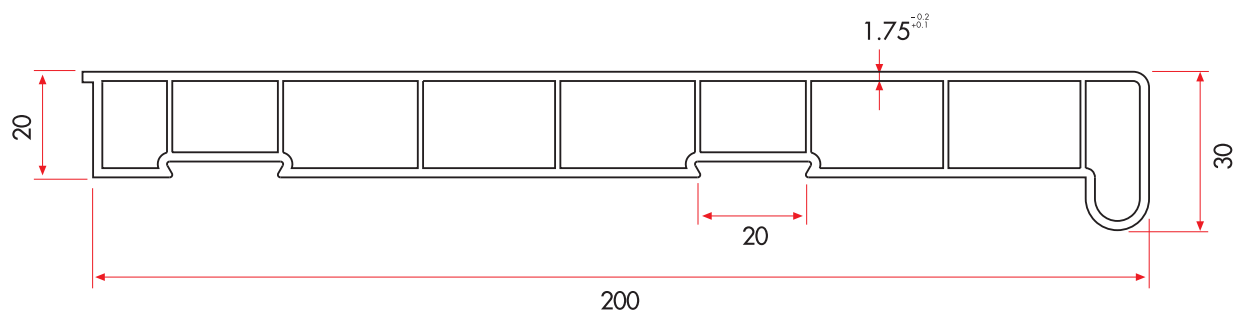
weight

0.166 gr/m

painting aluminium



CODE: 9011B	SCALE: 1/1
weight	0.168 gr/m
painted aluminium	



CODE: 1050B

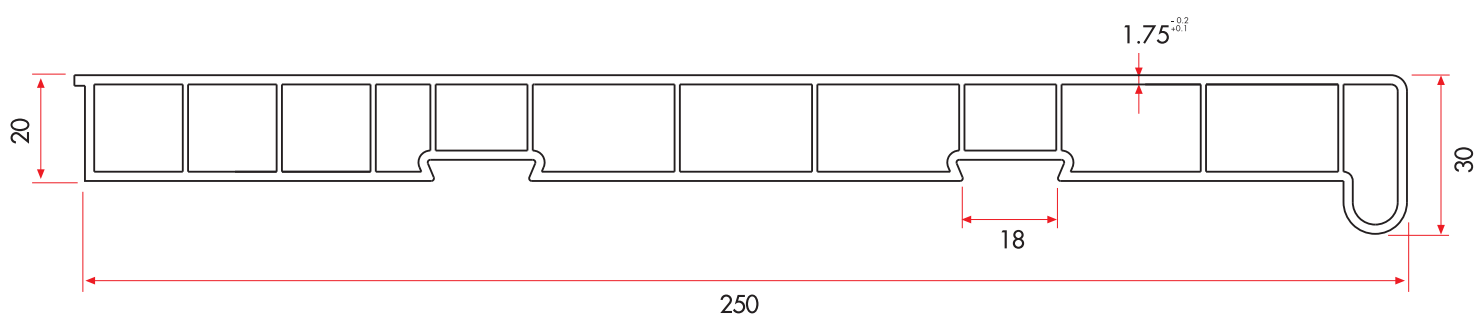
weight

1.329 gr/m ±%3

wall thickness

1.75<sup>-0.2</sup><sub>+0.1</sub> mm





CODE: 1051B

weight

1.660 gr/m  $\pm 3\%$

wall thickness

1.75 mm  $^{+0.2}_{-0.1}$



# LINE80

**DETAILLS**

**DETAILS**

**LES DETAILS**

**ДЕТАЛИ**

**DETALIİ**

**DETAYLAR**

**التفاصيل**

